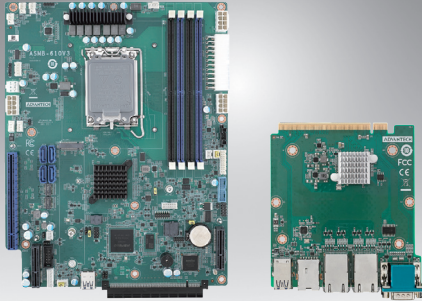


ASMB-610V3

**LGA 1700 Intel® 12/13th Gen. Core™
Proprietary Server Board with 4 x DDR5,
1 x PCIeX16, 2 x PCIeX4, 5 x USB 3.2,
4 x SATA 3, Quad LANs and IPMI**

NEW



Features

- LGA 1700 Intel® 12/13th Gen. Core™ i9/i7/i5/i3 processors with W680 chipset
- Compatible with HPC-61 series chassis
- DDR5 ECC/Non-ECC 4400/4000/3600 MHz UDIMM up to 128 GB
- One PCIe x16 slot or two PCIe x8 slots support FH/10.5" length card
- Two PCIeX4 slots support low profile expansion cards
- 4 x SATA 3 ports and 5x USB 3.2 ports
- One M.2 2280/22110 (SATA / PCIe compatible)
- Quad LAN with Intel I350
- Flexible IO board design

CE FCC

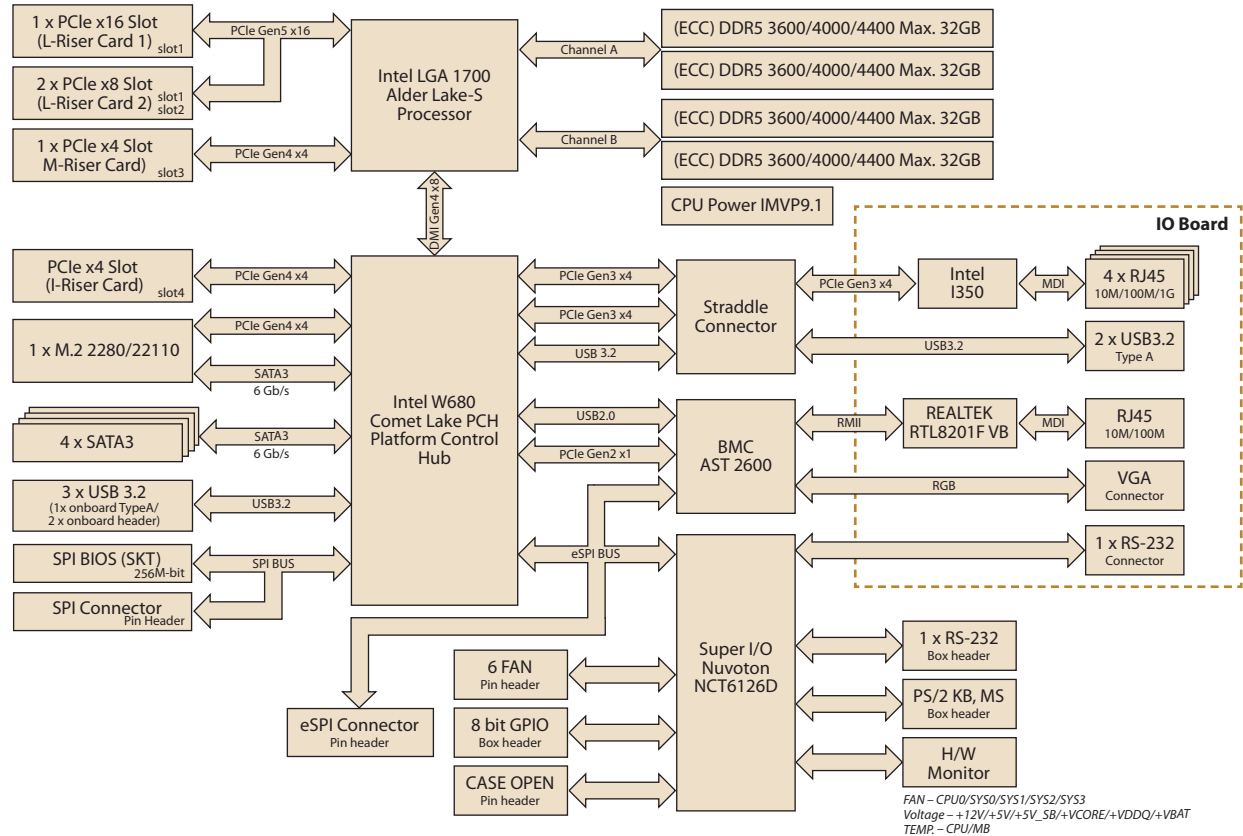
Specifications

Form Factor		Proprietary 205 x 265 mm (8.07" x 10.43")	
Processor System	Socket	Intel LGA 1700	
	CPU type	LGA 1700 Intel® 12/13th Gen. Core™ i9/i7/i5/i3 series (TDP up to 125W)	
Core Logic	Chipset	Intel W680 chipset	
Memory	Total slots	4 (2 DIMM per channel)	
	Capacity	128GB	
	Memory type	DDR5 ECC/Non-ECC 4400/4000/3600 MHz UDIMM (288-pin)*	
	Memory size	8 GB, 16 GB, 32GB	
Expansion Slots	Total PCIe slots	4	
	PCIeX16 slot1	PCIe x16 slot (x16 link) for L-Riser Card 1 (slot 1), or 2 x PCIe x8 slot (x16 link) for L-Riser Card 2 (slot1, slot2)	
	PCIeX4 slot2	PCIe x4 slot (x4 link) for I-Riser Card (slot 4)	
	PCIeX4 slot3	PCIe x4 slot (x4 link) for M-Riser Card (slot 3)	
Graphics	VGA	Aspeed AST 2600	
Storage	SATA controller	Intel® W680: 4 x SATA 3 (6 Gb/s) with Intel Rapid Storage Technology support (for Windows only) Supports software RAID 0, 1, 10 & 5	
	SAS controller	-	
Networking	GbE	4 x GbE (Intel I350)	
Onboard I/O Connector	PSU connector	24-pin SSI power connector + 8-pin SSI 12V power connector	
	USB connector	1 x USB3.2 ports (type A) + 2 x USB3.2 ports (onboard header)	
	Fan header	6 (1 for CPU fan + 3 for system fan in front + 2 for system fan in right side)	
	M.2	1 x M.2 2280/22110 (SATA/PCIe)	
	SMBus	1	
	Chassis intruder	1	
	Front LAN LED	1	
	Audio Header	-	
	PS/2 Keyboard/Mouse header	1	
Serial port header	1		
Rear I/O Connector	External serial port	1	
	External USB port	2 (USB3.2)	
	VGA port	1	
	RJ-45	5 (1 port dedicated BMC)	
	PS/2 Keyboard/Mouse	-	
	Infiniband	-	
Management Solution	Software	-	
	Out of band remote management	Yes	
Monitoring	CPU temperature	Yes	
	System Monitoring	Yes	
Watchdog Timer	Output	System reset	
	Interval	Programmable 1 ~ 255 sec/min	
Environment		Operating	Non-operating
	Temperature	0 ~ 40 °C	-40 ~ 85 °C
	Humidity	10% ~ 95%	10% ~ 95% (Non condensing)
Physical Characteristics	Dimension (L x H)	205 x 265 mm (8.07" x 10.43")	

* ECC support please reference to CPU specification

* Some processors have no graphic support. Please check Intel specification for processor graphics availability

Block Diagram



Ordering Information

Part Number	Chipset	Memory	GbE/10GbE LAN	IPMI	Graphics
ASMB-610V3-00A1	W680	4 x DDR5 Non-ECC/ECC UDIMM	4/-	Yes	AST 2600

Packing List

Part Number	Description	Quantity
TBD	Startup manual	1
1700024327-11	SATA data cable	2
9692622V110	IO board with 4 x GbE, 2 x USB3.2, 1 x VGA, 1 x RS-232, IPMI	1
9692610V310	L-Riser card with 1 x PCIe x16 slot for FH/10.5L	1
9692610V320	M-Riser card with 1 x PCIe x4 slot for HH/HL	1
9692610V330	I-Riser card with 1 x PCIe x4 slot for HH/HL	1

Optional Accessories

Part Number	Description
PCA-TPMSPI-00A1	TPM 2.0 Module by SPI
1970005531T001	LGA 1700 CPU heatsink for 1U chassis
9692610V340	L-Riser Card 2 with 2 x PCIe x8 slot

I/O View

