

TREK-303R FL

7" In-Vehicle Smart Display with Smart Display 2.0



Features

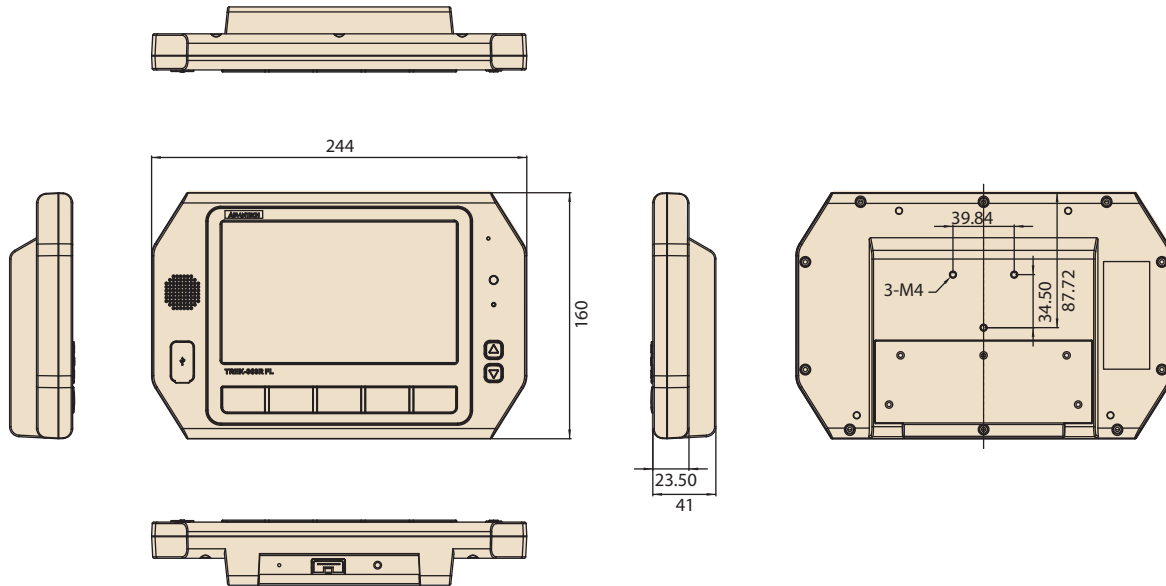
- 7" WVGA (16:10) TFT LCD with 4-wire resistive touch control
- Rugged, vehicle-grade design
- Smart display port 2.0 and 10-meter/5-meter connector cable
- Easily paired with TREK computing box via a single-cable connection
- Built-in light sensor for automatic dimming
- Extended I/O for easy maintenance and integration
- Wide operating temperature range (-30 ~ 70 °C/-22 ~ 158 °F)

Specifications

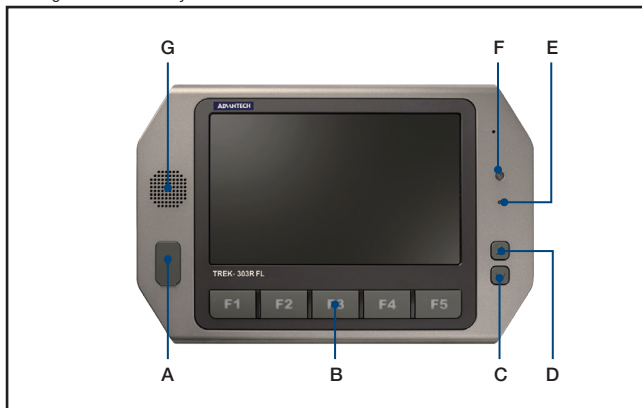
LCD	Resolution	WVGA (800x480)
	Compatible Products	TREK-60 modular AI platform
	Video Interface	Single-channel LVDS (24 bit)
	Pixel Pitch	0.1905(H) x 0.1905(V)
	Viewing Angle (H/V)	120°/100° (RC > 10)
	Contrast Ratio	500
	Backlight Type	LED
	Brightness	500 cd/m ² , typical
	Light Sensor	1 x with MRM SDK support
	Thermal Sensor	1 x with MRM SDK support
Front Panel	Speaker	1 x 2W speaker
	Hot Keys	5 x programmable function keys with LED indicators and MRM SDK support (LED duty cycle, key status, function programming)
	Brightness Control	1 x light sensor for auto-dimming and 2 x brightness control buttons
Touchscreen	Size	7.11" format
	Type	4-wire resistive
	Transparency	84% ± 3%
	Hardness	3H
	Durability	Knock test > 10,000,000 times (stylus = R0.8, <= 250g)
I/O	Smart Display Port 2.0	1 x with 10-meter/5-meter cable for pairing with TREK computing box via single-cable connection; USB 2.0 over SDP 2.0 for integrating optional devices (NFC reader, web camera, microphone); Support 12V (2A) power output
	Microphone	1 x (supports voice calls with echo cancellation, voice recognition)
	USB Port	1 x USB 2.0 Host
	Power button	1 x (can be configured to control TREK computing box)
	Reset button	1 x (can be configured to control TREK computing box and VPM)
	Power	Power Input
Mechanical	Power Consumption	7W (typical), 12W (max.)
	Dimensions (H x W x D)	212.75 x 141.85 x 35 mm/8.37 x 5.58 x 1.37 in
	Material	PC
	Weight	0.67 kg/1.47 lb
Environment	Mount Options	VESA (75x75), RAM Mount
	Operating Temperature	-30 ~ 70 °C/-22 ~ 158 °F
	Storage Temperature	-40 ~ 80 °C/-40 ~ 176 °F
	Humidity	95 ± 5%
	Thermal Design	Fanless
Certification	Ingress Protection	IP31 (entire system)
	Vibration/Shock	MIL-STD-810G, SAE J1455 4.9.4.2, EN60721-3-5(5M3)
	EMC	CE, FCC, IC, CCC
	Safety	UL, cUL, CB

Dimensions

Unit: mm

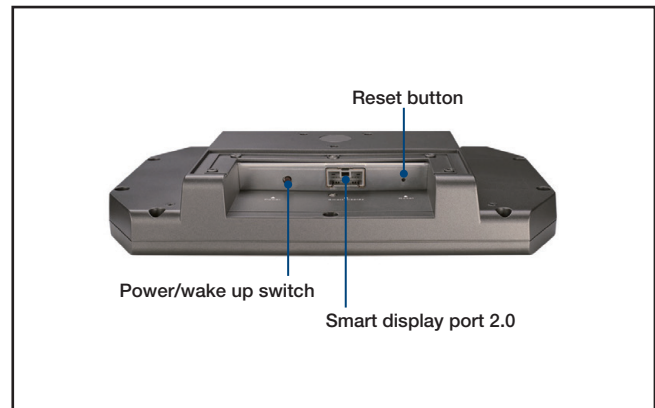


- A. USB host
- B. Programmable hotkeys



- C. Brightness up
- D. Brightness down
- E. Power LED
- F. Light sensor
- G. Speaker

Note: Use the "brightness down" button to turn off the backlight.



Ordering Information

Part Number	Description
TREK-303R-H2A0E	7" WVGA in-vehicle smart display 2.0 with bezel-free 4-wire resistive touchscreen

Optional Items

Part Number	Description
RAM-MOUNT-06E	VESA RAM mount with 3.6" VESA base and 5.6" double-socket arm for 1.5" ball base
RAM-MOUNT-07E	5.6" double-socket arm for 1.5" ball base
1700030183-01	Smart display 2.0 cable, 5 m
1700030181-01	Smart display 2.0 cable, 10 m