

FC-1204-U

4 Digital Inputs
4 Relays
USB Controlled

IA Intelligent Appliance
For Smart Solutions...



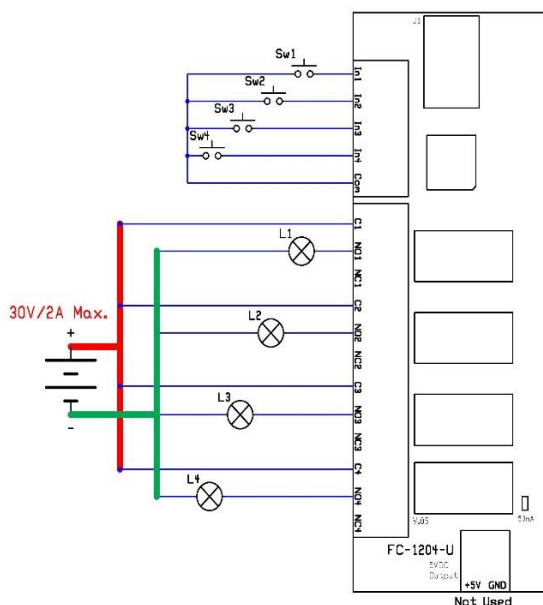
Introduction

The FC-1204-U is a low-cost relay controller with 4 SPDT Relays, 4 Dry contact or TTL Digital Inputs and an internal Watchdog protection.

The FC-1204-U can be easily wired and operated within minutes.

Its software support includes open source samples, as well as setting and operating utilities.

The FC-1204-U obtains all required power from the USB port, so no external power connection is ever required.



Features

- 4 SPDT Relays
- 4 Digital Inputs
- Dry Contact Input
- USB Powered and controlled
- Easy Operated
- Small footprint
- Easily Mounted

Specifications

Digital Inputs

Voltage Range:	0-5VDC
Pull Ups:	2K OHM
Channels:	4

Control Port

Communication Method:	USB
Default BR:	19200,8, n,1

Relay Output:

Relay Type:	SPDT
Contact Rating:	2A @ 30VDC
Relay ON Time:	5mS
Relay OFF Time:	5mS
Channels:	4

GENERAL

Supply Voltage:	USB Powered
Module size:	110x41x20
Weight:	85 gr

Ordering Information

FC-1204-U	4 Relays, 4 Digital Inputs, USB Controlled Module and USB cable included
------------------	--