

Futura / Portas / Bopult

These desktop enclosures
are distinguished by their
ergonomic design

- 11 variants
- Depending on the version, the lids can be turned by 180°
- T 900 with collapsible display area



Colour	Depending on the model: light grey, similar to RAL 7035 or black, similar to RAL 9005
Protection class	Depending on the model: IP 40/DIN EN 60529 or IP 54/DIN EN 60529
Enclosure material	ABS; for details see Technical Information

- All **F versions**, and the **BP 810** enclosure, are equipped with a 1 mm continuous recessed area for fitting membrane keypads.
- The **RO versions** have a plug-in aluminium panel on the rear. This allows easy processing and the separate fitting of various interfaces.
- The **T 900** enclosure has a stepless tip-up display section in the lid
- The **T 890/893** enclosures are fitted with a steel sheet baseplate



Futura



Desktop enclosure with membrane keypad area

Model	Order no.	A	B	C	b1	c1	Note
T 888 F	47888200	275	195	48	7°	36,3	IP 40 *
T 889 F	47889200	132	170	44,9	7°	34,7	IP 40 *
T 898	47898000	151	195	48	7°	36,3	IP 40 *
T 898 F	47898200	151	195	48	7°	36,3	IP 40 *
T 899	47899001	125	150	30,7	6°	22,8	IP 54

Scope of delivery: Lid and base, screws, rubber feet

Note: * = IP 54 available on request

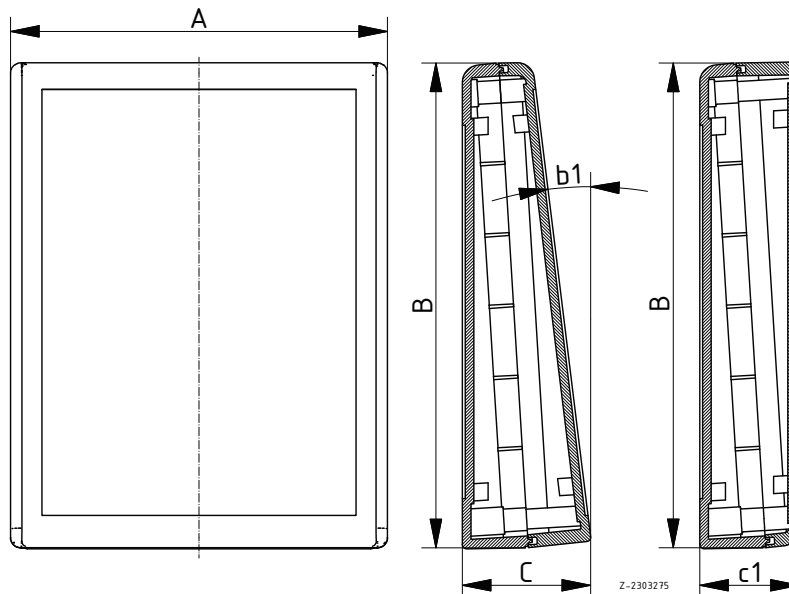


Desktop enclosure with membrane keypad area and plug-in rear panel, natural-coloured anodised aluminium

Model	Order no.	A	B	C	b1	Note
T 898 RO	47898100*	151	195	48	7°	IP 40
T 898 F-RO	47898300	151	195	48	7°	IP 40

Scope of delivery: Lid and base, screws, aluminium rear panel, rubber feet

Note: * = Available on request

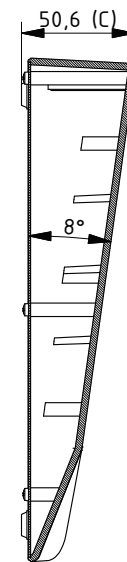
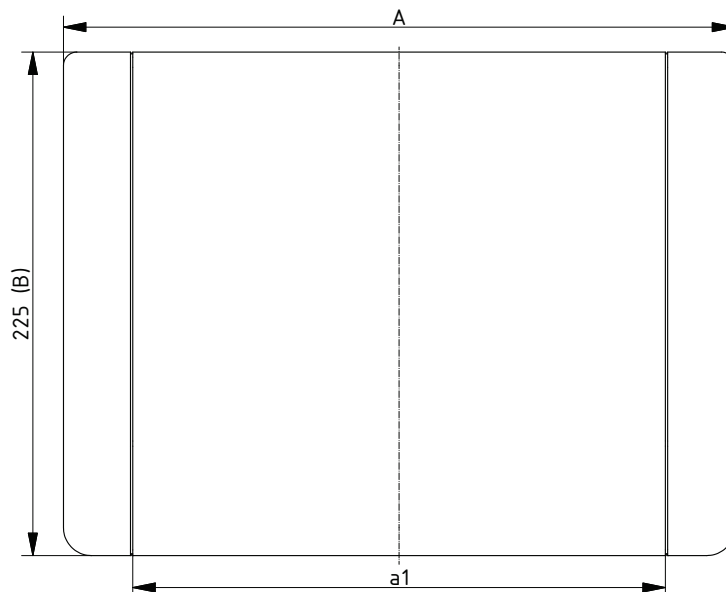


Futura

Desktop enclosure with ball-of-the-thumb rest and separate sheet steel baseplate

Model	Order no.	A	B	C	a1	Note
T 890	47890001	300	225	50,6	238	IP 40
T 893	47893001	500	225	50,6	438	IP 40

Scope of delivery: Lid, baseplate, screws, rubber feet



Z-2303276

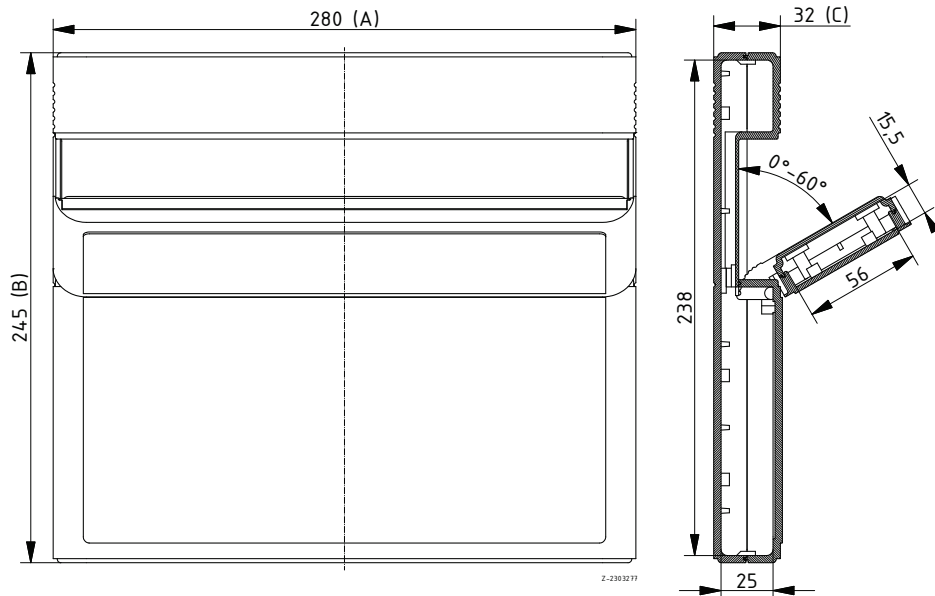
Portas



Desktop enclosure with hinged display section

Model	Order no.	A	B	C	Note
T 900	47900000	280	245	32	IP 40

Scope of delivery: Lid and base including display section, screws



Bopult

Console enclosure

Model	Order no.	A	B	C	Note
BP 810	45810000	106	176	54,3	IP 40

Scope of delivery: Lid and base, fixing screws, front panel, rubber feet

Note: The PCB is clamped between lid and base

