



BOPLA

A Phoenix Mecano Company

BoLink

BOPLA
enclosures ■ content matters

BoLink



Detailed product information can be found on www.bopla.de



- 1 basic size
- 3 heights
- 2 colours
- 3 variants (without wall brackets, with wall brackets, with wall brackets and lid fixing on top)
- Design seal optional
- PC material is suitable for outdoor use due to f1-listing according to UL 746C

Colour:

Black, similar to RAL 9005;
White, similar to RAL 9003;
Special colours on request

Protection class:

IP 40; with seal: IP 65 DIN EN 60529

Enclosure material:

Enclosure: PC UL 94 V0
Seal: TPE

For details see technical information

The intelligent and versatile enclosure system for modern IoT sensor technology



Without wall brackets



With wall brackets (WL);
Screws from the back



With wall brackets (WL DO);
Screws from the front



A 1.6 mm thick PCB can be clamped directly between the enclosure parts and optionally hot melted and clenched via two pins.



Ingress protection IP 65 by means of design seal; available in various colours. This increases the electronics mounting height by approx. 1.7mm.



Recessed membrane area (0.6 mm) in the lid and base; interfaces can be fitted on four sides.



Pressure compensation by mounting the DAE-D11 pressure compensation membrane.

For this purpose, drill (or punch) a hole in the moulded contour from the inside and glue the membrane in position.

BoLink | Enclosures

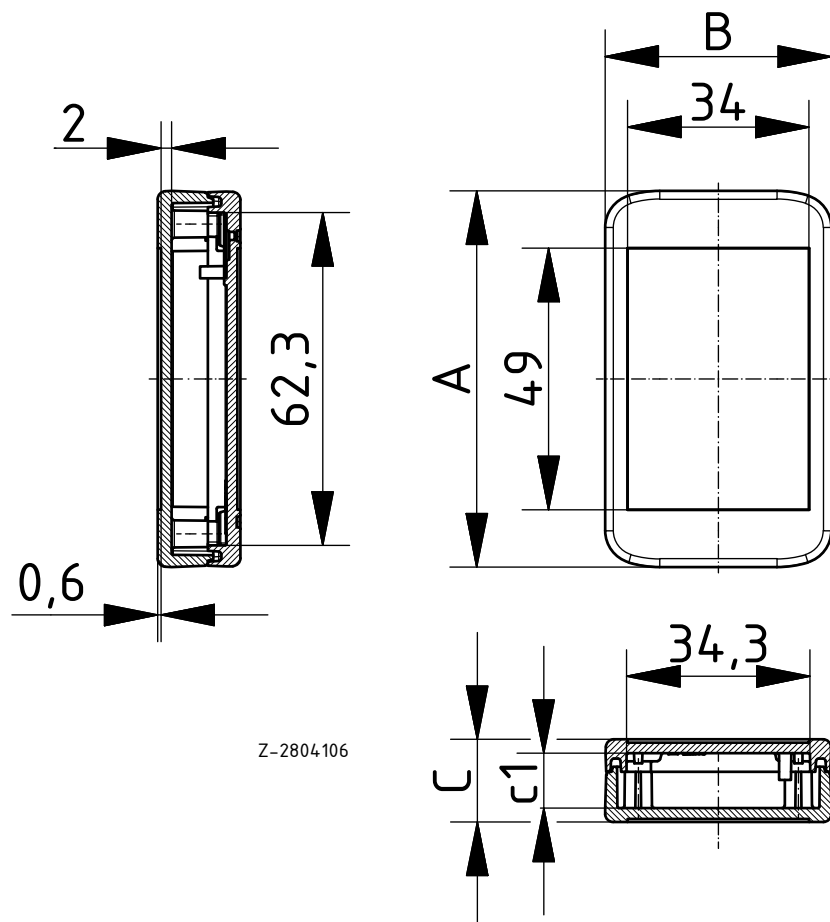


Enclosure, IP40 (IP65)

Model	Order no.	A	B	C	c1	Colour
BL 704015-9003	16174303	70.4	42.4	15.5	10.3	White
BL 704015-9005	16174305	70.4	42.4	15.5	10.3	Black
BL 704020-9003	16174403	70.9	42.9	22	16.8	White
BL 704020-9005	16174405	70.9	42.9	22	16.8	Black
BL 704025-9003	16174503	71.2	43.2	26	20.8	White
BL 704025-9005	16174505	71.2	43.2	26	20.8	Black

Scope Of Delivery: Lid and base, 4 screws

Notes: Upgradable to IP 65 with design seal BL_DI.



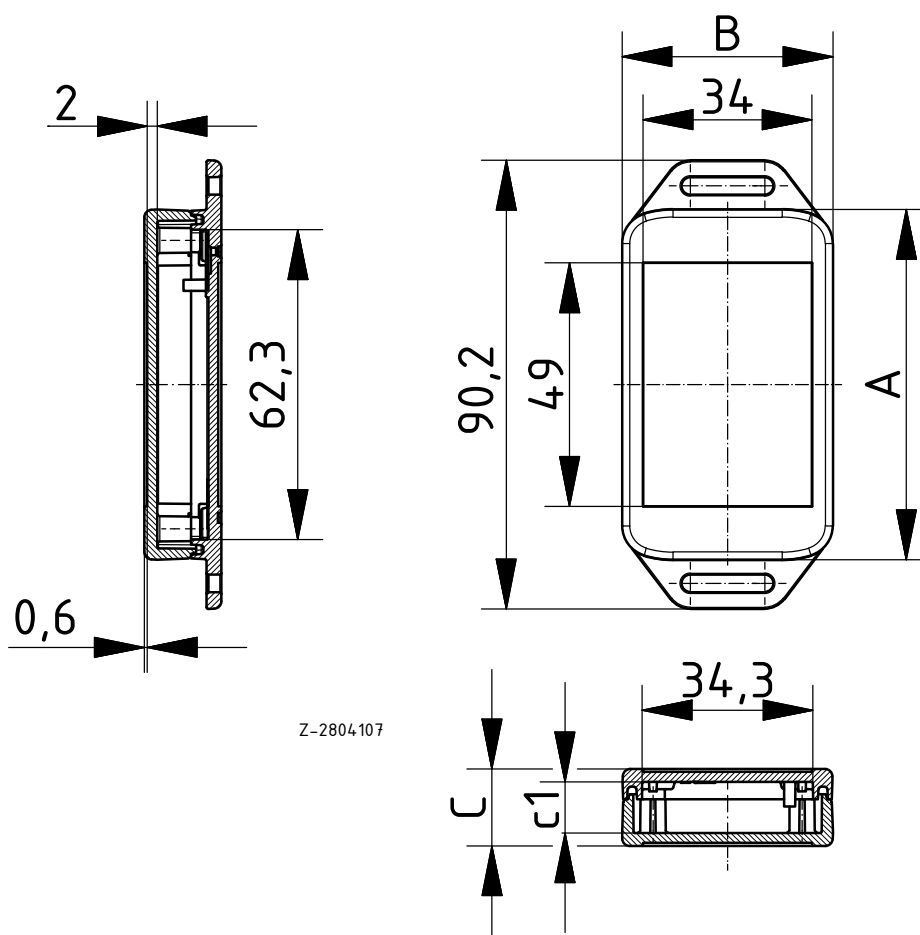
BoLink | Enclosures

Enclosure with wall brackets, IP40 (IP65)

Model	Order no.	A	B	C	c1	Colour
BL 704015 WL2-9003	16174333	70.4	42.4	15.5	10.3	White
BL 704015 WL2-9005	16174335	70.4	42.4	15.5	10.3	Black
BL 704020 WL2-9003	16174433	70.9	42.9	22	16.8	White
BL 704020 WL2-9005	16174435	70.9	42.9	22	16.8	Black
BL 704025 WL2-9003	16174533	71.2	43.2	26	20.8	White
BL 704025 WL2-9005	16174535	71.2	43.2	26	20.8	Black

Scope Of Delivery: Lid and base, 4 screws

Notes: Upgradable to IP 65 with design seal BL_DI.



BoLink | Enclosures

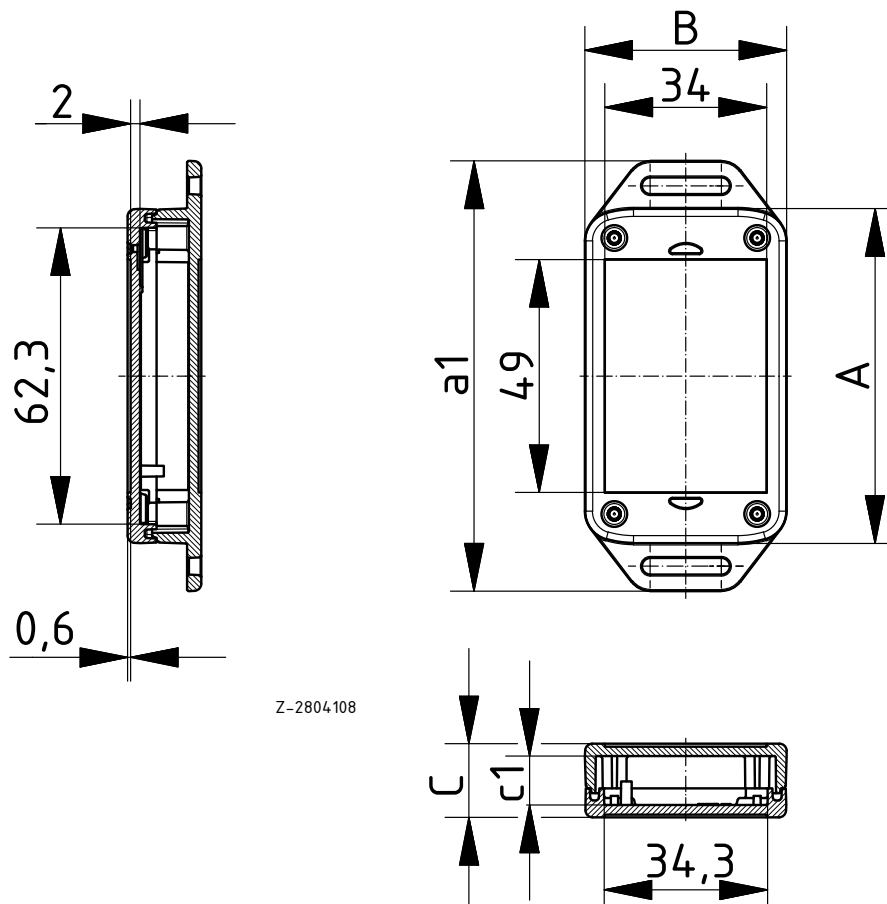


Enclosure with wall brackets and lid fixing from the top, IP40 (IP65)

Model	Order no.	A	B	C	a1	c1	Colour
BL 704015 WL2 DO-9003	16174363	70.4	42.4	15.5	90.4	10.3	White
BL 704015 WL2 DO-9005	16174365	70.4	42.4	15.5	90.4	10.3	Black
BL 704020 WL2 DO-9003	16174463	70.8	42.9	22	90.9	16.8	White
BL 704020 WL2 DO-9005	16174465	70.8	42.9	22	90.9	16.8	Black
BL 704025 WL2 DO-9003	16174563	71.1	43.2	26	91.2	20.8	White
BL 704025 WL2 DO-9005	16174565	71.1	43.2	26	91.2	20.8	Black

Scope Of Delivery: Lid and base, 4 screws

Notes: Upgradable to IP 65 with design seal BL_DI.



BoLink | Accessories

Design seal, IP65

Model	Order no.	Colour
BL 7040 DI-9005	16374005	Black
BL 7040 DI-9016	16374003	White
BL 7040 DI-3001	16374001	Signal red
BL 7040 DI-5005	16374002	Signal blue

Scope Of Delivery: 5 seals



Pressure compensation membrane DAE

Model	Order no.	Note
DAE-D11	52011000	Self-adhesive membrane ø 11 mm

Scope Of Delivery: 5 pieces

Notes: Air, which may create a vacuum in the enclosure when it cools, can suck in water etc. through the seal into the enclosure, which means that ingress protection can no longer be guaranteed. BOPLA's product range includes the pressure compensation element to compensate such variations in pressure caused by differences in temperature.



Processing of the enclosure and mounting on request.

Bopla Gehäuse Systeme GmbH | Borsigstraße 17-25 | D-32257 Bünde
Phone +49 (0) 5223-969-0 | Fax +49 (0) 5223-969-100
info@bopla.de | www.bopla.de



BOPLA

A Phoenix Mecano Company

Detailed product information can be found on www.bopla.de



ENGLISH - 88112801 2018/11