

AIIS-5410P

Fanless Vision System with Intel® Core™ i Processor, 4-Channel GigE PoE Camera Interface, and PCIe Slot



Features

- Intel® 6th Generation Core™ i7/i5 BGA1440 processor
- Four-channel Gigabit Power over Ethernet (GbE PoE)
- Powered device auto detection and classification
- Compliant with IEEE 1588 and IEEE 802.3af standards
- Compatible with Gigabit Ethernet (GigE) cameras
- Wide input power range (9 ~ 36 V DC)
- Wide operating temperature range (-20 ~ 60 °C)
- Isolated digital I/O
- Internal USB dongle space with lock design
- Desk/wall mounting kit

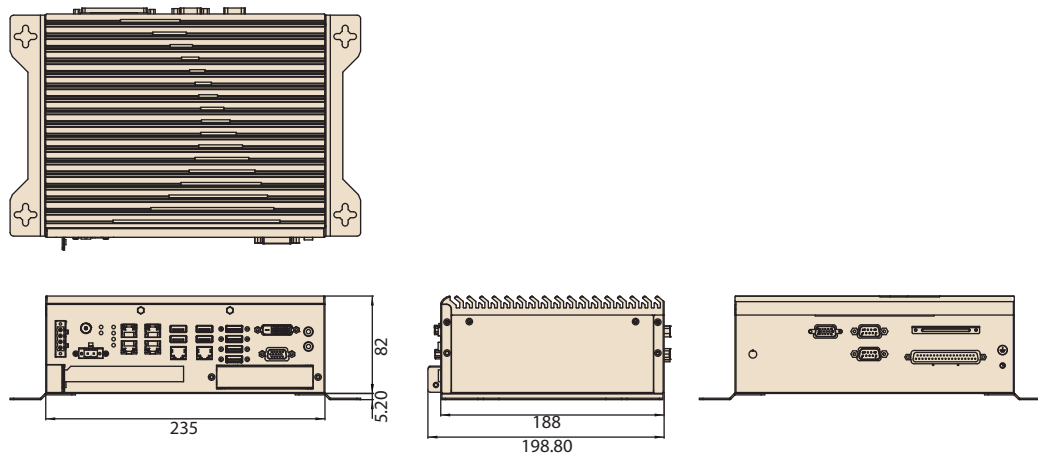


Specifications

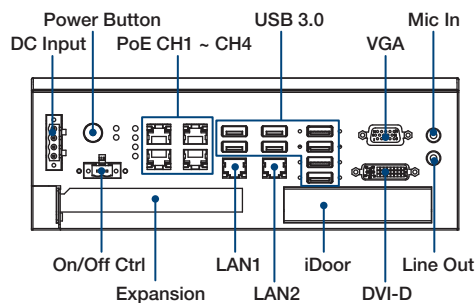
| | | | | |
|--------------------------|--------------------------|--|--|--|
| Processor System | CPU | i7-6822EQ | i5-6442EQ | |
| | Core | 4 | 4 | |
| | Base Frequency | 2 GHz | 1.9 GHz | |
| | L3 Cache | 8 MB | 6 MB | |
| | Chipset | QM170 | | |
| Memory | BIOS | AMI 64 Mb SPI Flash | | |
| | Technology | Dual-channel DDR4 at 1866/2133 MHz (non ECC) | | |
| | Max. Capacity | Equipped with 4 GB, can be expanded to a maximum of 32 GB | | |
| Graphics | Socket | 2 x 260-pin DDR4 SODIMM sockets (4 GB minimum and 16 GB maximum per socket) | | |
| | Chipset | Integrated Intel® HD Graphics | | |
| PoE | Controller | Intel® I210 Ethernet controller | | |
| | Compliant | IEEE 802.3af | | |
| | Power Output | 15.4 W per channel | | |
| Storage | Internal 2.5" HDD Bay | 2 (1 with a maximum height of 9.5 mm and 1 with a maximum height of 15 mm) | | |
| | CFast | 1 | | |
| | mSATA | 1 (via mini PCIe socket) | | |
| Expansions | PCIe x8 | 1, full height: 111.15 mm, length: max. 167.65 mm | | |
| | mini PCIe | 1 | | |
| Ethernet | Interface | 10/100/1000 Mbps | | |
| | Controller | 2 x Intel® I210 Ethernet controller | | |
| Front I/O | Display | VGA and DVI-D | | |
| | USB | 8 x USB 3.0 | | |
| | Audio | 1 x line-out, 1 x mic-in | | |
| Rear I/O | Serial | 2 x RS-232/422/485 via BIOS setup; RS-485 with auto-flow control | | |
| | DI/O (Default) | Digital IO | | |
| | Isolated DI/O (Optional) | AIIS-DIO32-00A1E (16 x DI/16 x DO) | | |
| | | High-voltage isolation, up to 2,500 V _{DC} on all channels Dry/wet contact support Supports 5 ~ 60 V DC isolated input channels High-sink current for isolated output channels (100mA max. per channel) Interrupt handling and timer/counter capabilities | | |
| Watchdog Timer | Output | System reset | | |
| | Intervals | Programmable 1 ~ 255 sec/min | | |
| Power Requirement | Power Type | ATX/AT | | |
| | Input Voltage | 9 ~ 36 V _{DC} | | |
| | Power Adapter | 150W (optional) | | |
| Miscellaneous | LED Indicators | Power, HDD, Temperature | | |
| | Controls | Power On/Off switch | | |
| Environment | Temperature | Operating | Non-operating | |
| | | HDD: 0 ~ 40 °C with 0.7 m/s air flow SSD: -20 ~ 60 °C with 0.7 m/s air flow | -40 ~ 70 °C | |
| | Humidity | 10 ~ 95% @ 40 °C, non-condensing | | |
| | Vibration | HDD: 1G, random, 5 ~ 500 Hz, 3 axes, 1 hr/axis SSD: 3G, random, 5 ~ 500 Hz, 3 axes, 1 hr/axis | 2G, sine wave, 5 ~ 500 Hz, 3 axes, 1 hr/axis | |
| | | Shock | HDD: 10G, half sine wave, 11 ms duration SSD: 50G, half sine wave, 11 ms duration | |
| Physical Characteristics | Dimensions (W x H x D) | 235 x 82 x 188 mm (9.25" x 3.22" x 7.4") | | |
| | Weight | 2.9 kg (6.39 lbs) | | |

Dimensions

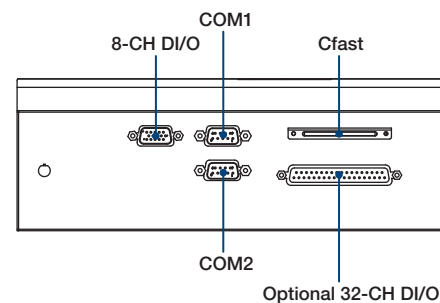
Unit: mm



Front View



Rear View



Ordering Information

| Part Number | CPU | PoE Port | Display | USB 3.0 | DI/DO | COM 232/422/485 | Expansion Slot |
|------------------|-----------|-----------|---------|---------|-----------|-----------------|-----------------|
| AIIS-5410P-U0A1E | i7-6822EQ | 4-channel | VGA+DVI | 8 | 8-channel | 2 | 1 PCIe8; 1 PCI* |
| AIIS-5410P-S9A1E | i5-6442EQ | 4-channel | VGA+DVI | 8 | 8-channel | 2 | 1 PCIe8; 1 PCI* |

Note : System default expansion slot is PCIe8. PCI needs to change the riser card and it is in accessory box.

Packing List

| Items | Part Number | Quantity |
|----------------------------------|----------------|----------|
| Bare system | AIIS-5410P | 1 |
| Start-up manual (EN/CN/TC) | 2001541000 | 1 |
| Driver CD | 2061750000 | 1 |
| Wall mount bracket | 1960070543N002 | 2 |
| 4-pin Phoenix DC power connector | 1652003234 | 1 |
| 2-pin Phoenix DC power connector | 1652005203 | 1 |
| SATA cable | 1700018971 | 2 |
| SATA power cable | 1700024372-01 | 2 |
| PCI riser card | 9691541010E | 1 |

Optional Accessories

| Part Number | Description |
|-------------------|--|
| 96PSA-A150W19P4-1 | Adaptor AD 100 ~ 240 V 150 W 19 V |
| 1702002600 | Power cord 3-pin UL/CSA (USA) 125 V 10A 1.83 M 180D |
| 1700022940-01 | Power cord PSE 7A 125 V 3P 3 m DAC-ST01 |
| 1702002605 | Power cord 2P (France) 10A/16A 220 V 1.83 M 90D |
| AIIS-DIO32-00A1E | Isolated D I/O module, 32-channel, 9-pin USB interface |
| PCL-10137-1E | 32-channel D I/O cable (1 M) for wiring terminal |
| ADAM-3937-BE | 32-channel DI/O DB-37 wiring terminal, DIN-rail mount |
| 1700023217-01 | 8-CH DIO Cable for Wiring Board |
| ADAM-3925-AE | 8-CH DIO DB-25 Wiring Terminal, DIN-rail Mount |

Note:

1. MIC-7500 supports the i-door module (both MOS and PCM series). Visit the Advantech website for more information.
2. The PCM series module requires a bracket (P/N: 1960065854N001) that must be ordered separately.

Embedded OS

| Part Number | Description |
|-------------|---------------------------------------|
| 2070014222 | img WES7P AIIS-5410P x64 V5.6.6 10MUI |