

# IPC-7130

## Desktop/Wallmount Chassis with Dual SAS/SATA HDD Trays for ATX/MicroATX Motherboard

**NEW**



### Features

- Stylish design with 7 expansion slots in the rear
- Shock-resistant drive bay holds one 5.25" disk drive and three 3.5" disk drives (two 3.5" HDD trays and one internal 3.5" drive bay)
- Lockable front door prevents unauthorized access
- LED indicators and alarm notification for system fault detection, including Power, HDD, Temp, Fan
- Bidirectional options to mount chassis on the wall or workbench
- Optional PS/2 300 W/ 400 W power supply

### Specifications

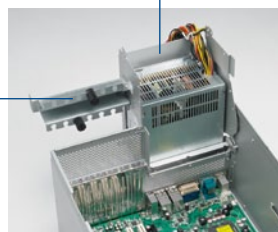
Disk Drive Bay	3.5"	Front-accessible	Internal
	5.25"	2 SAS / SATA HDDs	1
Cooling	Fan	1 (12 cm/85 CFM) + 1 (6 cm/27.7CFM)	-
	Air Filters	Yes	-
I/O Interface	USB	2 (Front accessible)	-
Miscellaneous	LED Indicators	Power, fan, temperature, HDD	-
	Front Panel	Power, HDD, Temp, Fan	-
Environment	Temperature	Operating	Non-operating
		0 ~ 40° C (32 ~ 104° F)	-20 ~ 60° C (-4 ~ 140° F)
	Humidity	10 ~ 85 % @ 40° C, non-condensing	10 ~ 95 % @ 40° C, non-condensing
	Vibration (5-500 Hz)	0.5 G	2 G
	Shock	10 G (with 11 ms duration, half sine wave)	30 G
Physical Characteristics	Dimensions (W x H x D)	200 x 320 x 480 mm	-

### Interior view



Easy-to-maintain power supply bracket

Hold-down clamp



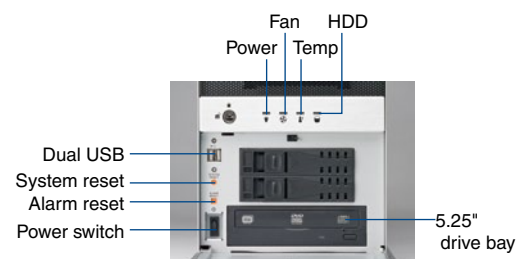
### Rear view



Eas-to-maintain reusable fan filter

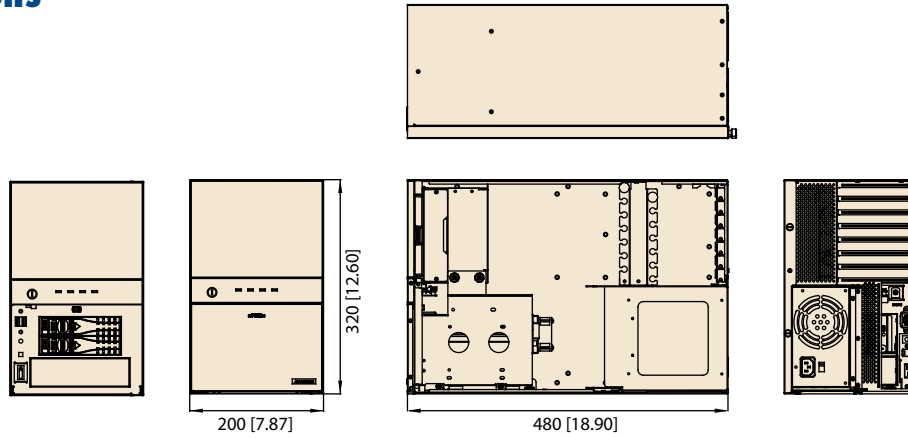


Dual SAS/SATA HDD trays



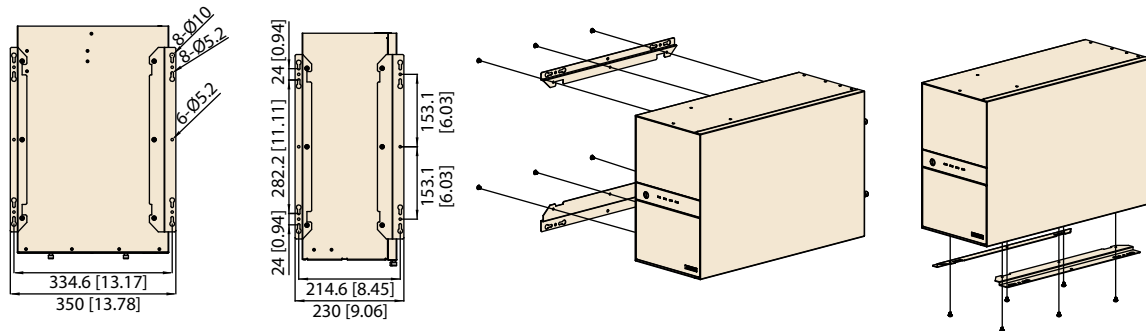
## Dimensions

Unit: mm [inch]



## Installation

Unit: mm [inch]



## Ordering Information

Model Name	Power Supply
IPC-7130-00XE	Without power supply, with ATX switch

## Optional Accessories

Part Number	Description
9662132000E	Black 3.5" mobile HDD Tray

## Power Supply Options

Part Number	Watt	Input
PS-300ATX-ZBE (ATX,PFC)	300 W	AC 100 ~ 240 V (full range)
PS-400ATX-ZBE (ATX,PFC)	400 W	AC 100 ~ 240 V (full range)
RPS-300ATX-ZE (ATX, PFC)	300 W	AC 100 ~ 240 V (full range)
1+1 (Redundant)		