

# PPC-3210SW

## 21.5" Fanless Panel PC with Intel® Celeron® N2930 Processor

**NEW**



### Features

- Industrial 21.5" Full HD LED panel with 50k lifetime backlight
- Projected capacitive multi touch screen
- Embedded Intel® processor, quad core Celeron® N2930 1.83GHz onboard
- System memory up to 8 GB DDR3L SDRAM
- Compact Fanless Design with solid Al Alloy enclosure
- True-flat with IP65 certified front panel protection
- E-Eye Monitoring and Protection
- Supports Full-size Mini PCIe Expansion
- Supports USB 3.0
- Supports Windows Embedded and Android
- Supports VESA 75



### Introduction

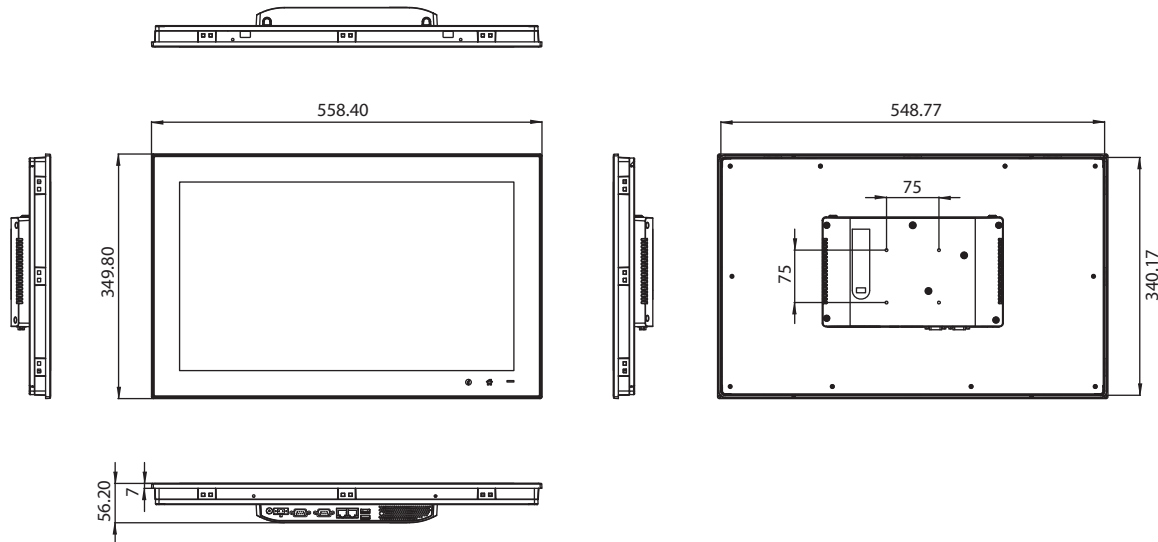
The PPC-3210SW is a high value, ultraslim Panel PC with a 21.5" Full HD LCD; the low power, Intel® Celeron N2930 1.86GHz processor provides high computing performance in a compact, fanless, embedded system. With a high durability design, the PPC-3210SW is equipped with a true-flat touch screen with IP65 front panel protection, die-cast Al alloy enclosure, and Projected capacitive touchscreen. It supports two serial ports, three USB ports, and two GbE LANs to satisfy various industrial applications. To provide further system monitoring and protection, the E-Eye in the PPC-3210SW rear cover gives clear indication of system operating status, for detection and analysis.

### Specifications

<b>Processor System</b>	CPU	Intel® Celeron® N2930, Quad core
	Frequency	1.83 GHz
	2nd Cache	2 MB
	Memory	1 x SO-DIMM, DDR3L 1333, Max 8 GB
	Storage	1 x 2.5" SATA Bay (Optional, need ordering bracket module for installation) 1 x mSATA Bay (default)
	Network (LAN)	2 x 10/100/1000 Mbps Ethernet
	I/O ports	2 x Serial ports: 1 x RS-232, 1x RS-232/422/485 (Adjustable through BIOS) 1 x USB 2.0, 1 x USB 3.0
	Expansion	1 x Full size Mini PCIe slot
<b>Physical Characteristics</b>	Watchdog Timer	255 timer levels, set up by software
	Dimensions	558.4 x 349.8 x 56.2 (219.8" x 137.7" x 22.1")
<b>OS Support</b>	Weight	7.5 Kg (16.5 lb)
	OS Support	Microsoft® Windows 7 32bit&64bit/Windows 8.1 32bit&64bit/Windows 10 32bit&64bit/Win 10 LTSB/WES 7/WEC 7/ Linux/Android 4.4
<b>Power Consumption</b>	Input Voltage	12- 24 Vdc
	Power Consumption	25W (Burn-in test 7.0 in Windows 7 32 bit)
<b>LCD Display</b>	Display Type	21.5" TFT LCD (LED Backlight)
	Resolution	1920 x 1080
	Viewing Angle	89 (left), 89 (right), 89 (up), 89 (down)
	Luminance (cd/m <sup>2</sup> )	300
	Contrast Ratio	5000
	Backlight Lifetime	50,000 hrs
<b>Touchscreen</b>	Touch Type	Projected Capacitive Multi-Touch 10 Point
	Light Transmission	90 % ± 3 %
	Controller	USB interface
<b>Environment</b>	Operating Temperature	0 ~ 50°C (32 ~ 122°F) with SSD 0 ~ 40°C (32 ~ 104°F) with HDD (HDD test condition:the SPEC of HDD temperature need more than or equal to 65°C)
	Storage Temperature	-40 ~ 60°C (-40 ~ 140°F)
	Relative Humidity	10 ~ 95% @ 40°C (non-condensing)
	Shock	Operating 10 G peak acceleration (11 ms duration), follow IEC 60068-2-27
	Vibration	Operating Random Vibration Test 5 ~ 500Hz, 1Grms @with HDD; 2Grms @with SSD, follow IEC 60068-2-64
	EMC	CE, FCC Class B, BSMI
	Safety	CB, CCC, BSMI, UL
Front Panel Protection	IP65 compliant	

## Dimensions

Unit: mm

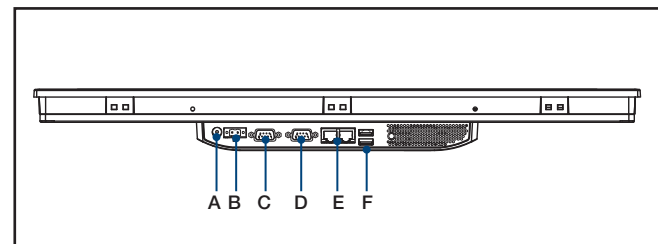


Cut-out dimension: 550.3 x 341.8mm

## Ordering Information

Part No.	Description
PPC-3210SW-PAE	Intel Celeron N2930 Fanless Panel PC with 21.5" Full HD LED backlight
PPC-3100S-HDDE	Bracket module for 2.5" SSD/HDD installation
96PSA-A90W190T-1	ADP A/D 100-240V 90W 19V W/PFC
PPC-WLAN-B1E	Wi-Fi Module with Antenna Cable 40cm for PPC
PPC-ARM-A03	ARM VESA Standard (A-CLEVER) for PPC series
PPC-174T-WL-MTE	Wall mount kit for PPC series
PPC-Stand-A1E	Stand for PPC series
98R3415010E	Front USB on cabinet module with Cable 100cm
1700001524	Power cord 3P UL 10A 125V 1.8M
170203183C	Power cord 3P Europe (WS-010+083) 183cm
1700008921	Power cord 3P/3P 1.8M PSE
96CB-POWER-B-1.8M	Power cord 3P CCC(China) 1.8M

## I/O Appearance



- A. Power Switch
- B. DC-In
- C. RS-232
- D. RS-232/422/485
- E. 2 x RJ45 LAN
- F. 1 x USB 2.0, 1 x USB 3.0